

## 1. Scope

This specification applies to precast concrete open bottom and enclosed vaults that are 4'8" W x 7' L and their corresponding concrete covers and pads specifically for electrical use.

## 2. Material ID Numbers

The following vault Cat ID's shall conform to the corresponding diagram dimensions:

### 2.1 Vaults and Vault Assemblies

Material ID	Description	Section
1001608	4'8 x 7'0 x 4'0	9.3

### 2.2 Covers and Pads

Material ID	Description	Section
1000746	4'8 x 7'0 x 0'6, with 24" x 30" opening and 36" x 36" hatch	9.2
1001606	4'8 x 7'0 x 1'0, with 21" x 24" opening and 36" x 36" hatch	9.5
1001681	4'8 x 7'0 x 1'0, with (2) 36" x 36" hatches opening on the 4'8 ends of the vault	9.1
1002316	4'8 x 7'0 x 1'0, with (2) 36" x 36" slip resistant hatches opening side by side	9.4
1002317	4'8 x 7'0 x 1'0, with (2) 36" x 36" slip resistant hatches opening on 4'8 ends of vault	9.1
1002460	4'8 x 7'0 x 1'0, with (2) 36" x 36" hatches opening side by side	9.4
5004160	4'8 x 7'0 x 1'0, with (2) 36" x 36" H30 Rated slip resistant hatches opening on 4'8 ends of vault	9.1
5004251	4'8 x 7'0 x 1'0, with (2) 36" x 36" H30 Rated slip resistant hatches opening side by side	9.4
5006320	4'8 x 7'0 x 1'0 with (2) 36" x 36" Non Slip Hatches and RimRiser Height Adjustment Hardware	9.1

### 2.3 RISERS

MID	Description	Section
5000635	4'8 x 7'0 x 0'6	9.6

### **3. Referenced Standards**

All material, accessories, and marking for District vaults, pads, and covers shall adhere to the specifications of District Material Standard VAULTMAT1.

### **4. Pulling Irons**

Vaults shall be equipped with 5/8" pulling irons located in the lower corners, unless otherwise specified by the District.

### **5. Interior Equipment Mounting Hardware**

All vaults shall be equipped with interior equipment mounting hardware.

### **6. Lifting Inserts**

All vaults, covers, and risers shall be equipped with corrosion-resistant stainless steel threaded-type lifting inserts as appropriate for the structure's weight. Each threaded insert shall be equipped with a removable threaded plastic protective cap installed flush with the riser's top surface.

### **7. Identification**

All vaults, covers, and pads shall be marked in compliance with VAULTMAT1.

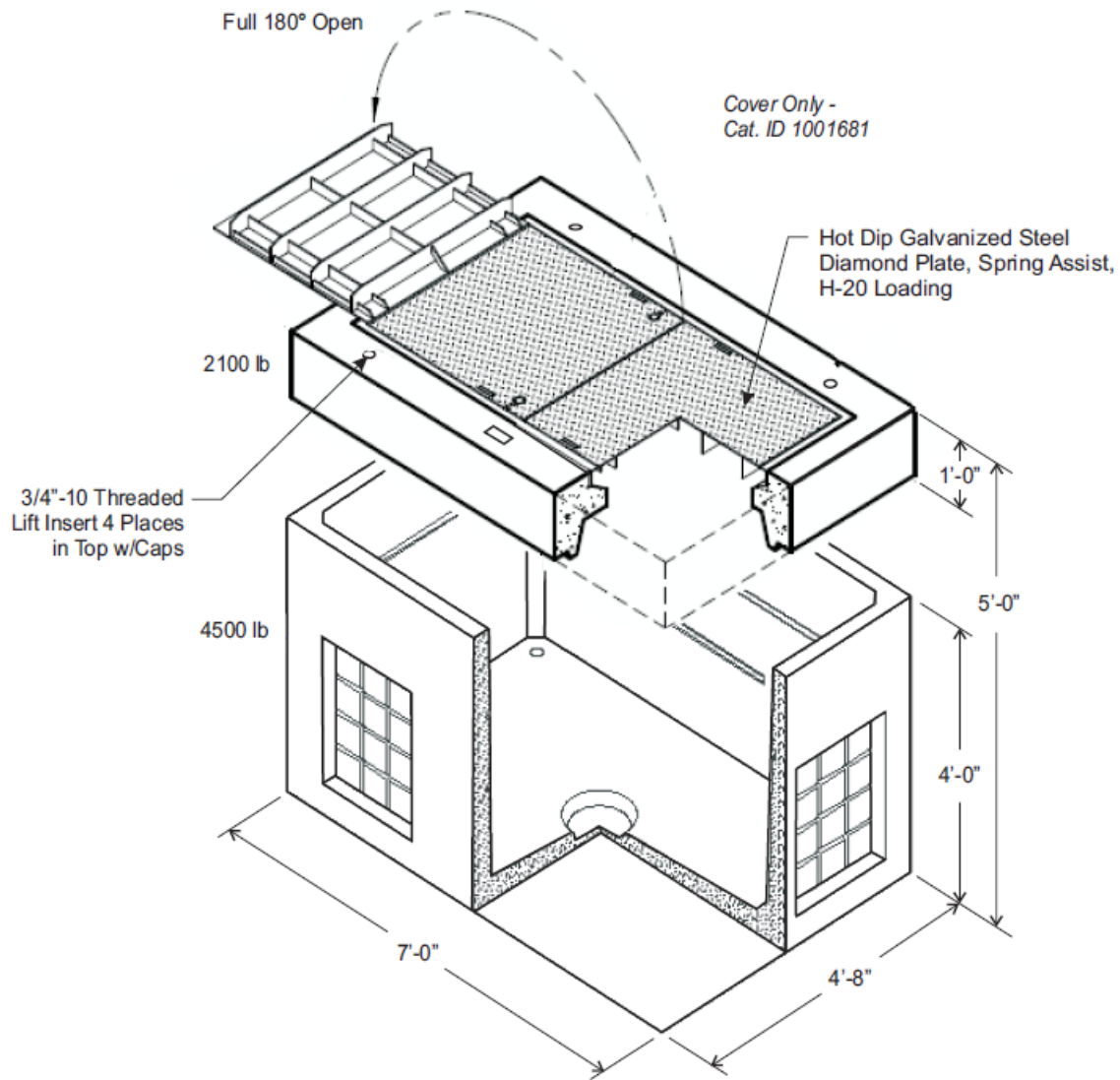
### **8. Hatch Covers**

All hatch covers shall be constructed of H-20 rated Diamond Plate unless otherwise specified by the District. In individual cases where this is not sufficient, the District shall have the option to specify a Port Authority rating and/or a SlipNot™ finish.

### **9. Dimensions**

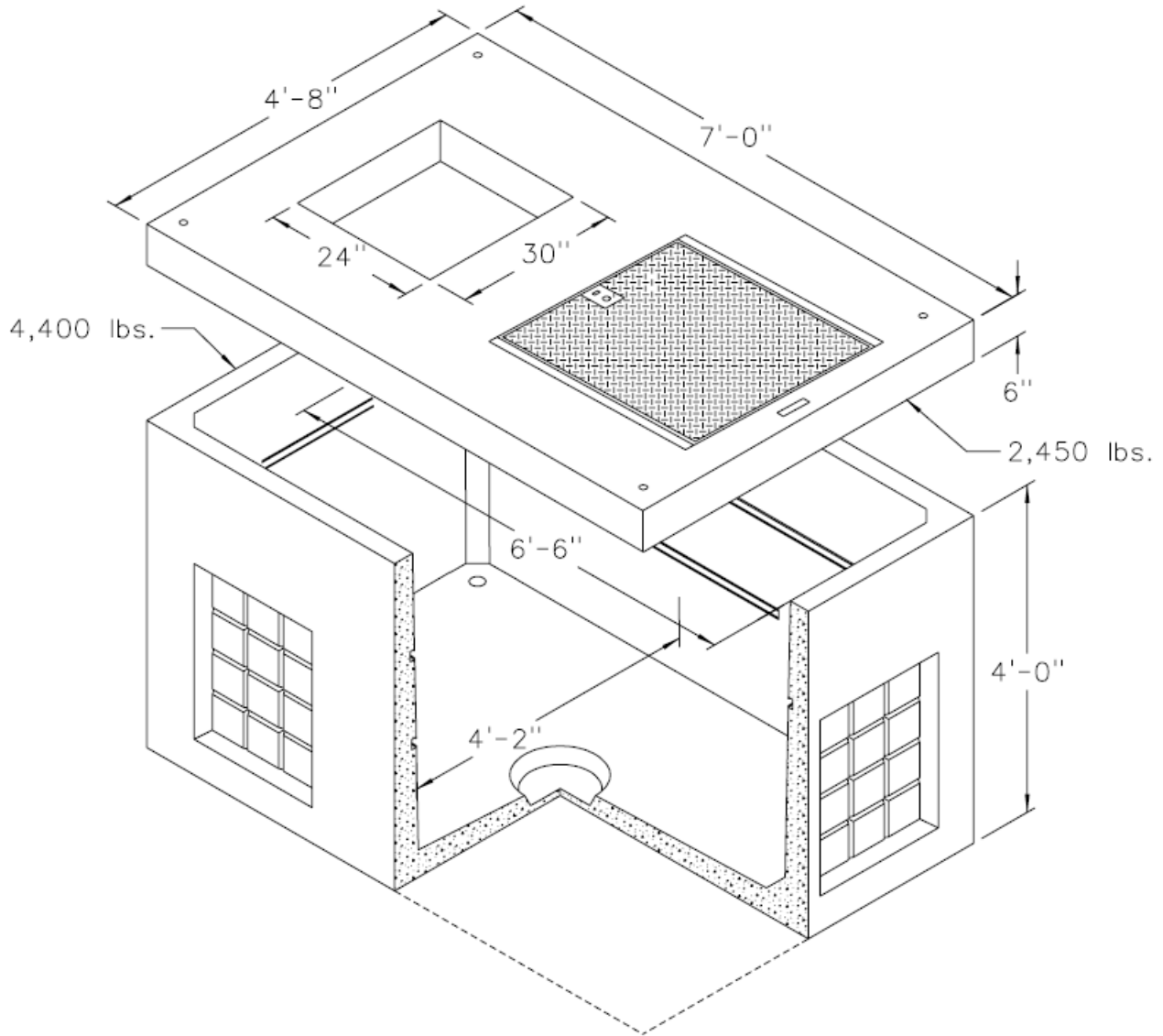
Vaults, pads, and covers shall have the following dimensions and knockout distribution (where applicable). Note that multiple covers may fit each vault and that covers may have the same dimensions with different accessories, i.e. Diamond Plate Hatch vs. Steel Plate w/ SlipNot™ Hatch.

**9.1 4'8" x 7' x 4' & 4'8" x 7' x 12" Cover w/ (2) 36" sq. Diamond Plate Doors**

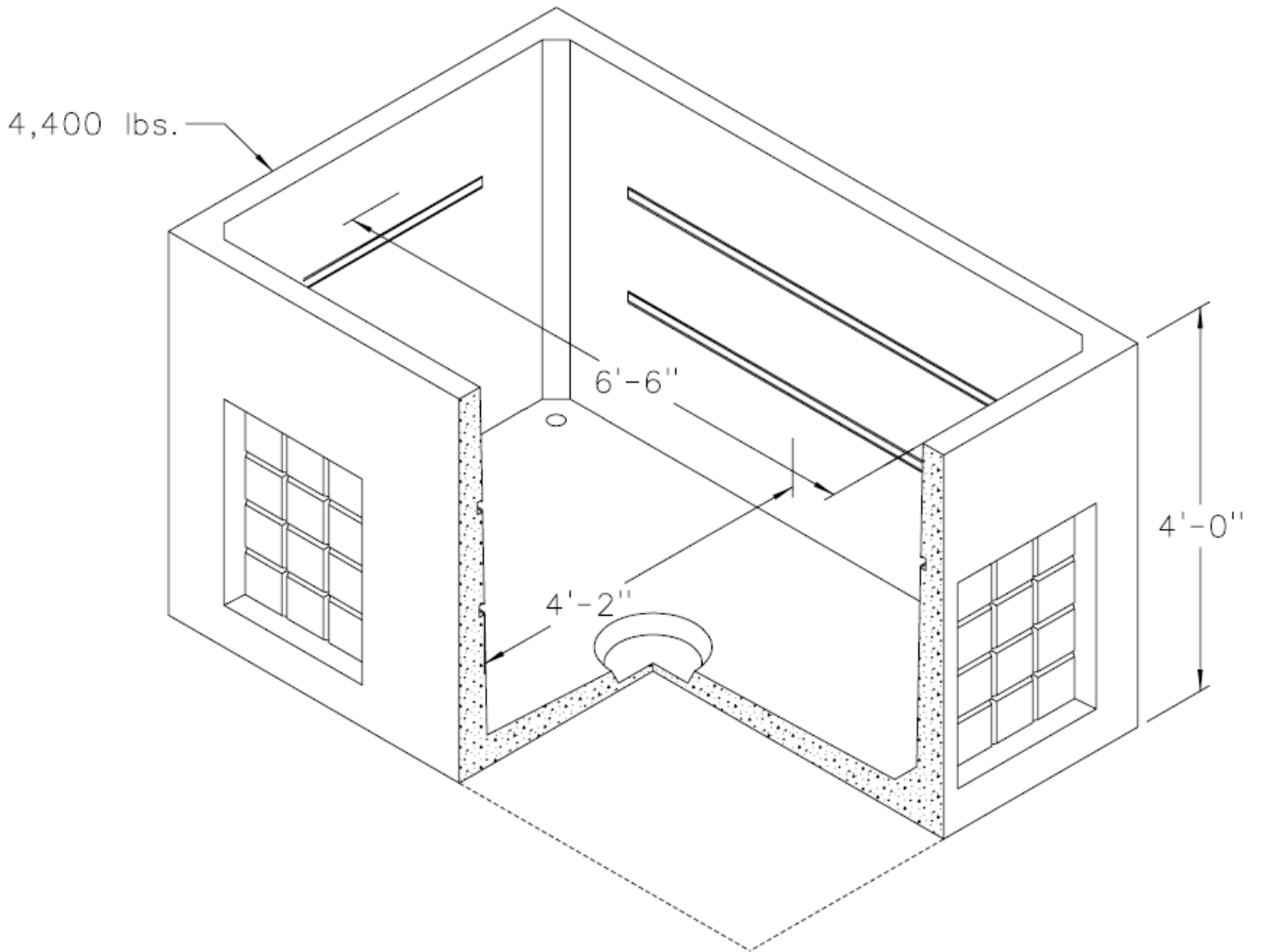


**Note: District Cat. ID 1002317 shall have a SlipNot finish instead of a Diamond Plate finish.**

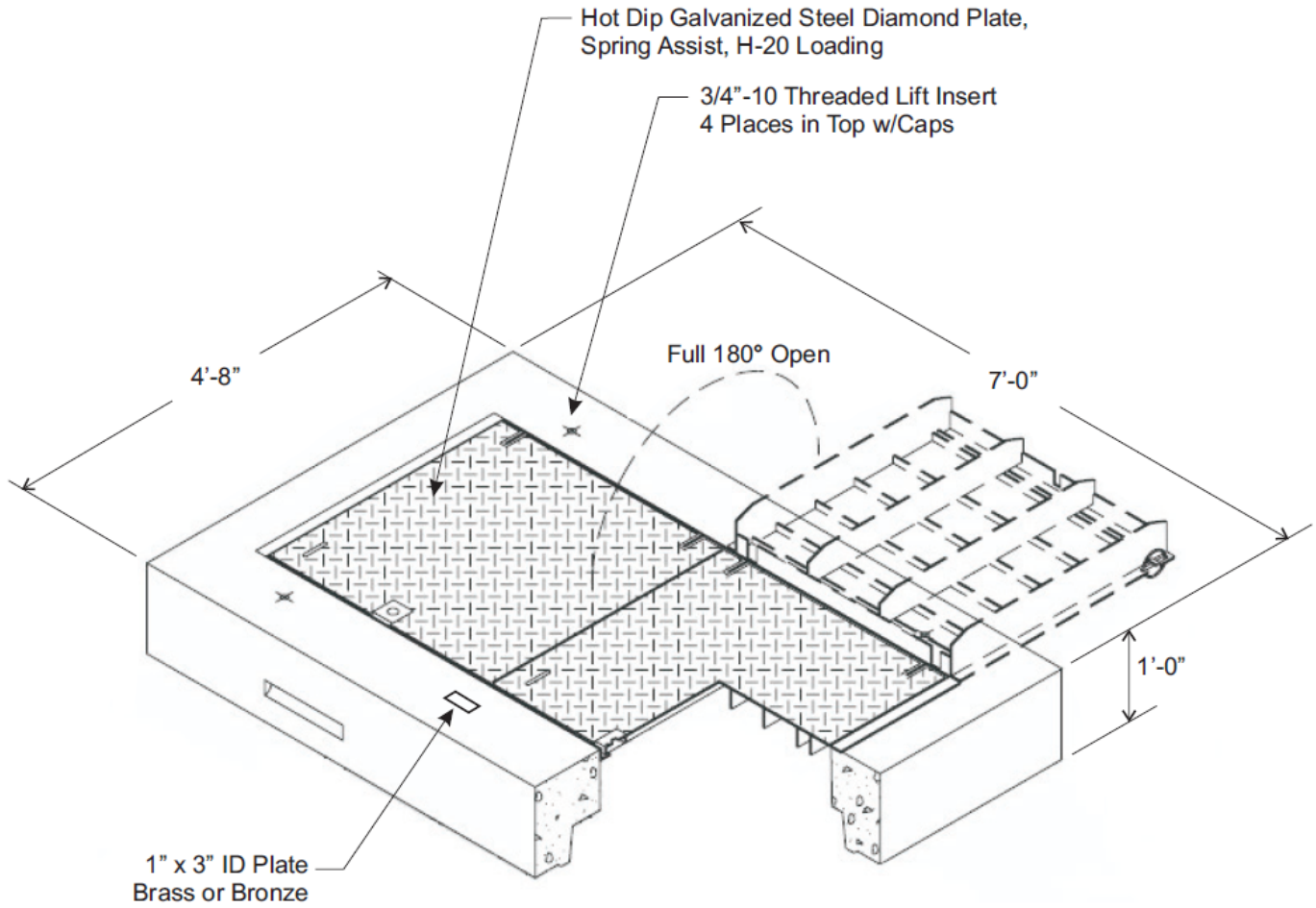
**9.2 4'8" x 7' x 4' & 4'8" x 7' x 6" Cover w/ 36" sq. Diamond Plate Hatch & 30" W x 24" D Access Opening**



**9.3 4'8" x 7' x 4'**

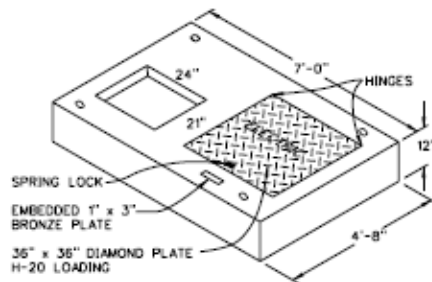


**9.4 4'8" x 7' x 12" w/ (2) 3' sq. Diamond Plate Hatches Opening Side by Side**



**Note: District Cat. ID 1002316 shall have a SlipNot finish instead of a Diamond Plate finish.**

**9.5 4'8 x 7'0 x 1'0, with 21" x 24" opening and 36" x 36" hatch**



**9.6 4'8 x 7'0 x 0'6**

